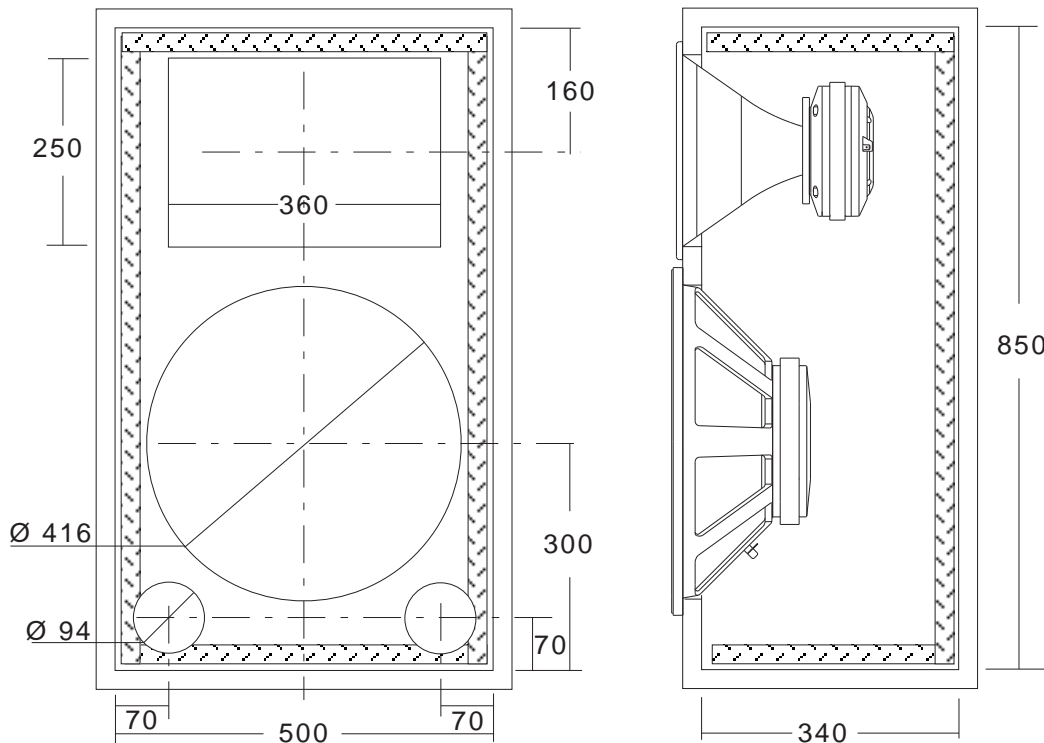
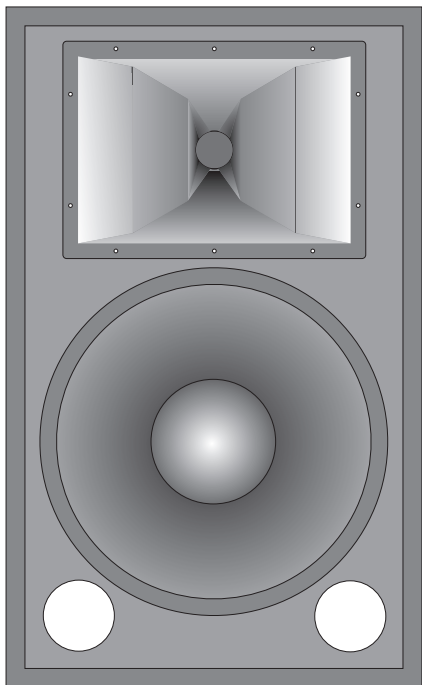
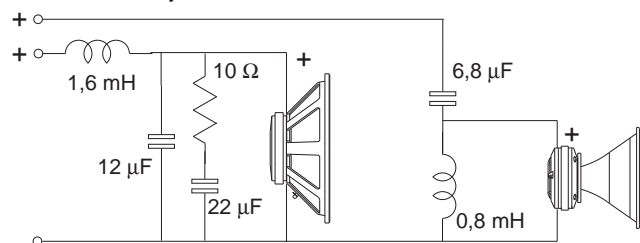


DR020 TWO WAYS REFLEX MONITOR



Crossover Layout



COMPONENTS

L F	18.00 W3
H F	2.72 CD1
Horn	PR 400
Max Power	800 W
Nominal Power	400 W
Impedance	8 Ω

SPECIFICATIONS

Sensitivity 1W/1m	:	102	dB
Net volume Vb	:	130	dmc
Tuning Frequency Fb	:	47	Hz
Frequency range	:	60 ÷ 20000	Hz
Crossover Frequency	:	1200	Hz

FREQUENCY RESPONSE (1W/1m)

